

3.7 Power RC Snubber Networks : - STRC series

Applications :

Interference suppression; elimination of spark and transient phenomena in power switch and relay; arc suppressing for industrial heavy duty application; electrical automation control, starting, stopping, regulating or protecting electric motors
Transient and dV/dt suppression for power Thyristor and Triacs in snubber circuit
Fan Speed Regulator and Motor Speed Regulator
Suitable for AC and DC voltage application

Constructions :

Supporting different Capacitor Configuration, electrical connections and mounting options so as to increase your design flexibility

Mounting systems :

Cylindrical Plastic Case : with Stud - M8 or without Stud (see P.30)

Box Plastic Case: Screw mounting hole / without Screw mounting hole(see p.33)

Electrical Characteristics :

Capacitance value : 0.1 - 2.0uF

Voltage : 125Vac, 220Vac, 240Vac, 480Vac, 600Vac

Resistance and rate power of the Resistor : customer design, 1/4W - 50W

Temperature range : +85C / +105C

Testing Voltage : : 1.5 x U_n 10sec (can be customized design)

Varistor options is available

Circuits :

connection for Resistor and Capacitor : series, parallel or three phase



The combination of Capacitance value, Voltage, Resistor type, Resistance, Power Rating and Dimension, please contact us for a design suited to your particular needs.

Headquarter & Production : HK Film Capacitor Ltd

Worldwide Sales Office : HKFC Industrial Pty Ltd <https://www.hkfc-industrial.com> email : enquiry@hkfc-industrial.com

RC Snubber Networks :-class X2 250VAC / 600DC

STRC-X2-series

- Switch Contact protection
- Interference suppression of contact
- Transient Suppression
- Long life even when subjected to high frequency and over voltage
- Plastic Case & Epoxy Resin – Flame Retardant meet UL94-V0
- Varistor options is available

Electrical Connection :

- Flexible wire : UL #1015,105C, AWG#18, 20
- Flexible wire with terminal : Ring, Y or Pin terminal with various size

General Specifications :

- Capacitance range** : 0.1 – 1.0uF
- Capacitance tolerance** : +/-5%(J) +/-10% (k)
- Resistance range** : 22 to 680 ohm 0.5W / 1W (normal values E6 series)
- Rated Voltage** : 250VAC / 600VDC (inclusive of the superimposed AC component peak value)
- Temperature range** : +85C / +105C

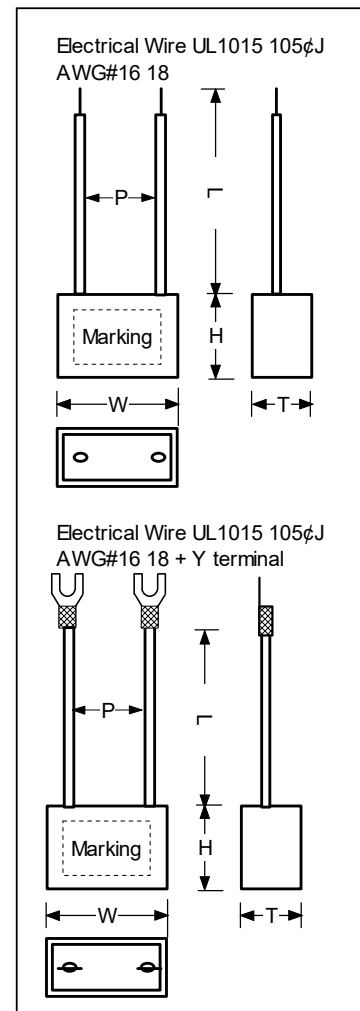
Testing Voltage :

- Terminal to Terminal : 2,000VDC 2sec at 25±5C (can be customer design)
- Terminal to Case : 2,500Vac 2sec at 25±5C

Insulation Resistance : > 20,000Mohm

Reference Standard : IEC60068-1 DIN40045 40/85/21

Circuitry : Resistor and Capacitor in series



Dimensions :

Cn uF +/-10%	Resistance ohm +/-5%	Rated Power W	Rated Voltage		Width W mm	Height H mm	Thickness T mm	Pitch P mm	Lead length L mm
			Vac	Vdc					
0.1	22 – 680	1/2 - 1	250	600	26.5	19	10	21	150 or 300
0.22					32	22	13	26	
0.25									
0.47									
0.5									
1.0	32	30	15	26					

RC Snubber Networks :- 480VAC / 1,000DC

STRC-480 series Switch Contact protection
 Interference suppression of contact
 Transient Suppression
 Long life even when subjected to high frequency and over voltage
 Plastic Case & Epoxy Resin – Flame Retardant meet UL94-V0
 Varistor options is available

Electrical Connection :

Flexible wire : UL #1015, 105°C, AWG#18, 20

Flexible wire with terminal : Ring, Y or Pin terminal with various size

Mounting : M8 stud – Cylindrical type only

General Specifications :

Capacitance range : 0.1 – 1 μ F

Capacitance tolerance : +/-5%(J) +/-10% (k)

Resistance range : 22 to 1kohm 1-10W other value is available

Rated Voltage : 480VAC / 1,000VDC (inclusive of the superimposed AC component peak value)

Temperature range : +85C / +105C

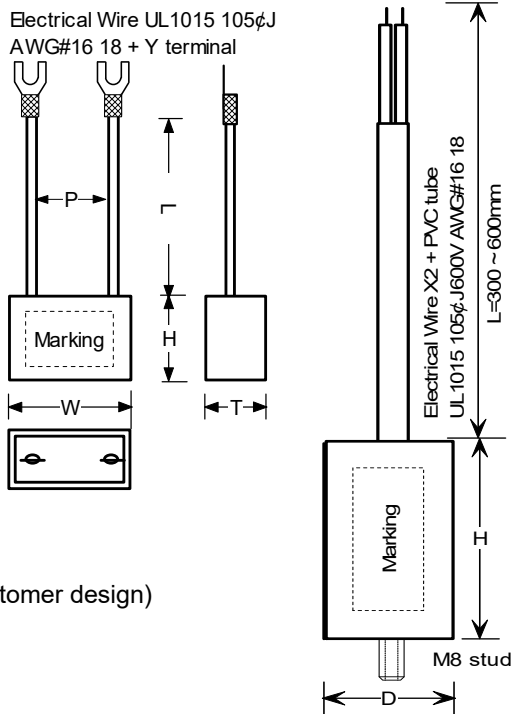
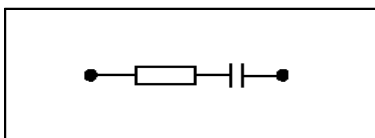
Testing Voltage : T to T : 1.75 x U_n 10sec at 25 ± 5C (can be customer design)

T to Case : 2000Vac 10sec at 25±5C

Insulation Resistance : >10,000Mohm at 250VDC 2min. 23C

Reference Standard : IEC60068-1

Circuitry :



Box – type :

Cn uF +/-5%	Rated Voltage		Resistance ohm ±10%	Rated Power W	Box			Electrical Wire L=mm
	VAC	VDC			W	H	T	
0.1	480	1000	10	1	39	32	22	300 or 600
0.1	480	1000	22	2				
0.1	480	1000	47	2				
0.1	480	1000	47	1				
0.1	480	1000	100	2				
0.1	480	1000	100	3				
0.1	480	1000	220	1				

Cylindrical – type :

Cn uF +/-5%	VAC	VDC	ohm ±10%	W	D	H	L=mm
0.22	480	1000	10	5	45	73	300 or 600
0.25	480	1000	220	5			
0.25	480	1000	50	10			
0.25	480	1000	68	10			
0.25	480	1000	100	10			
0.3	480	1000	100	10			
0.47	480	1000	220	5			
0.47	480	1000	820	10			
0.5	480	1000	15	5			
0.5	480	1000	220	5			
0.5	480	1000	10	10			
0.5	480	1000	75	10			
0.5	480	1000	100	10			
0.5	480	1000	220	10			
1.0	480	1000	10	5			
1.0	480	1000	220	5			

3 Phase RC Snubber Networks : 400VAC - 600VAC

STRCY-xxx and STRCD-xxx series

Applied in parallel with three phase inductive loads (Electrical Motor) to absorb transients Voltage and pulse

EMI filter for Electrical Motor Wye and Delta connection high pulse current handling capacity

Plastic Case & Epoxy Resin – Flame Retardant meet UL94-V0

Varistor options are available

Box and Cylindrical plastic case options

Application :

Transient Voltage Suppressor, EMI Filter and Circuit protection for Three phase Motor, CNC equipment, Magnetic Contactor, Solenoid, Relay and Starter

Electrical Connection :

Flexible wire : UL #1015, 105C, AWG#16, 18

Flexible wire with terminal : Ring, Y or Pin terminal with various size

General Specifications :

Capacitance range : 0.1 – 0.5uF

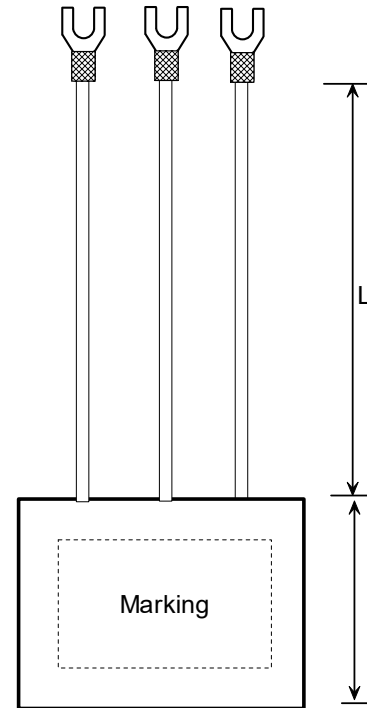
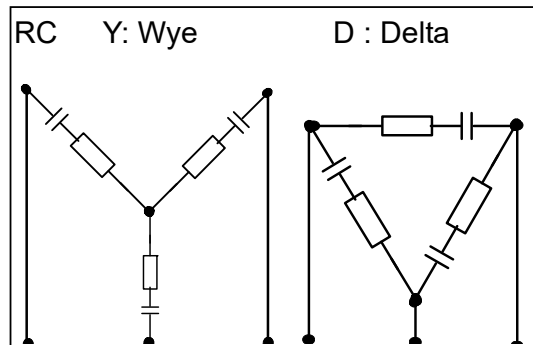
Capacitance tolerance : ±10% (k)

Resistance range : 22 to 820 ohm 3W - other value is available

Rated Voltage : 3 X 400VAC - 600VAC

Temperature range : +85C / +105C

Circuitry :



Delta :

Cn uF	Voltage	Resistor		Box W X H X T	Electrical Wire L in mm
	VAC	ohm +/-10%	rated power W		
0.1	3X400	10~330	3	42 x 38 x 27	300 or 600
0.22		27~330	3		
0.5		22~470	3		

Wye :

Cn uF	Voltage	Resistor		Box W X H X T	Electrical Wire L in mm
	VAC	ohm +/-10%	rated power W		
0.1	3X600	10~330	3	42 x 38 x 27	300 or 600
0.22		27~330	3		
0.5		22~470	3		

3 Phase RC Snubber Networks : 480VAC

STRCY-xxx and STRCD-xxx series

Applied in parallel with three phase inductive loads (Electrical Motor) to absorb transients Voltage and pulse

EMI filter for Electrical Motor Wye and Delta connection
 Very High pulse current handling capacity
 Plastic Case & Epoxy Resin – Flame Retardant meet UL94-V0
Varistor options are available
 Cylindrical plastic case

Application :

Transient Voltage Suppressor, EMI Filter and Circuit protection for Three phase Motor, CNC equipment, Magnetic Contactor, Solenoid, Relay and Starter

Electrical Connection :

Flexible wire : UL #1015,105C, AWG#16, 18
 Flexible wire with terminal : Ring, Y or Pin terminal with various size

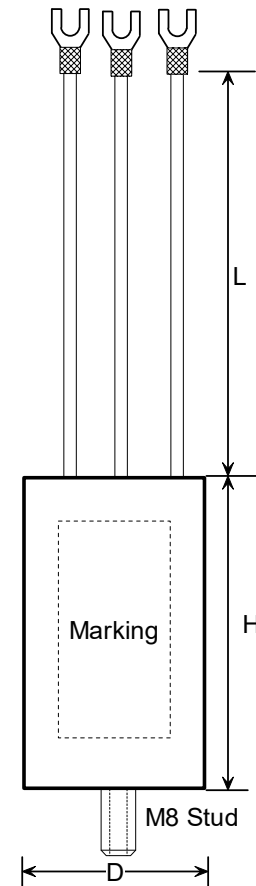
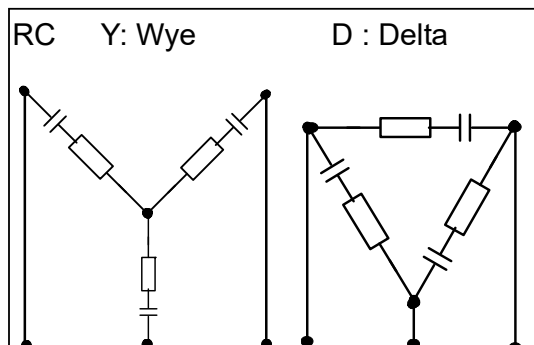
Mounting :

M8 stud

General Specifications :

Capacitance range : 10uF ~ 100uF
Capacitance tolerance : +/-5%(J) +/-10%(k)
Resistance range : 10 - 680ohm 10W other value is available
Rated Voltage : 3 X 480VAC
Temperature range : +85C / +105C

Circuitry :



Resistor		Capacitor		Size	Electrical Wire
ohm ±10%	Rated Power W	uF	VAC	D x H mm	L in mm
10	10	0.5	480	45 x 73	300 or 600
15					
22					
27					
33					
47					
68					
82					
100					
150					
220					
330					
470					
680					

Transient Voltage Suppressors : 24VAC - 480VAC

STVS-xxx series-Applied in parallel with inductive loads (Electrical Motor) to absorb transients Voltage and pulse

- EMI filter for Electrical Motor
- High pulse current handling capacity
- Varistor** options is available
- Plastic Case & Epoxy Resin – Flame Retardant meet UL94V0
- Box type and Cylindrical available

Application :

Transient Voltage Suppressor, EMI Filter and Circuit protection for Three phase Motor, CNC equipment, Magnetic Contactor, Solenoid, Relay and Starter

Electrical Connection :

Flexible wire : UL #1015, 105°C, AWG#16, 18

Flexible wire with terminal : Ring, Y or Pin terminal with various size

Mounting : M8 stud – Round type only

General Specifications :

Capacitance range : 0.22 – 0.5uF

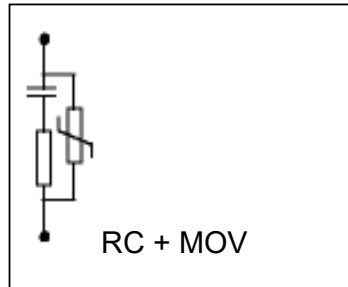
Capacitance tolerance : +/-5%(J) +/-10%(k)

Resistance range : 22 to 820ohm 1/2-10W other valve is available

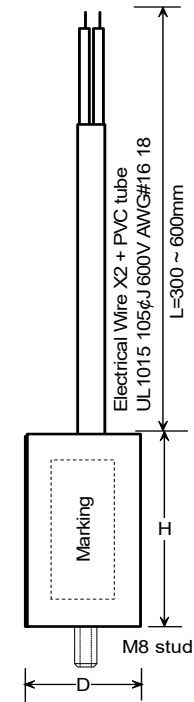
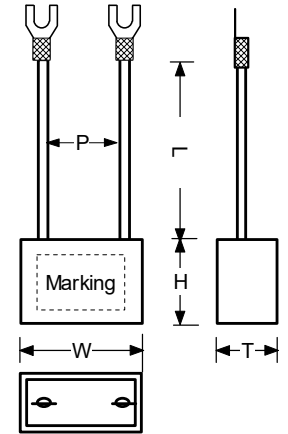
Rated Voltage : 24VAC - 480VAC

Temperature range : +85C / +105C

Circuitry :



Electrical Wire UL1015 105°CJ
AWG#16 18 + Y terminal



Dimensions :

Cn uF	Rated Voltage		Resistance		Varistor	Size	Electrical Wire
	VAC	VDC	ohm +/-10%	rated power W		W x H x T D x H	L in mm
0.22	120	200	47	1/2	Customer design	32 x 22 x 11	150 or 300
0.22	250	470	220	1			
0.47	24	50	220	1/2			
0.47	120	600	220	1			
0.5	120	600	100 - 220	1			
0.1	250	1000	47	2			
0.1	275	2000	220	2			
0.47	250	600	100 - 220	2			
0.25	480	1000	470	10			
0.5	480	1000	50 - 220	10		45 x 73	

3 Phase Transient Voltage Suppressors : 400VAC - 500VAC

STVSYP-xxx series Applied in parallel with three phase inductive loads (Electrical Motor) to absorb transients Voltage and pulse
 EMI filter for Electrical Motor
 Wye connection
 High pulse current handling capacity
Varistor options is available
 Plastic Case & Epoxy Resin – Flame Retardant meet UL94-V0
 Cylindrical type

Application :

Transient Voltage Suppressor, EMI Filter and Circuit protection for Three phase Motor, CNC equipment, Magnetic Contactor, Solenoid, Relay and Starter

Electrical Connection :

Flexible wire : UL #1015,105C, AWG#16, 18
 Flexible wire with terminal : Ring, Y or Pin terminal with various size

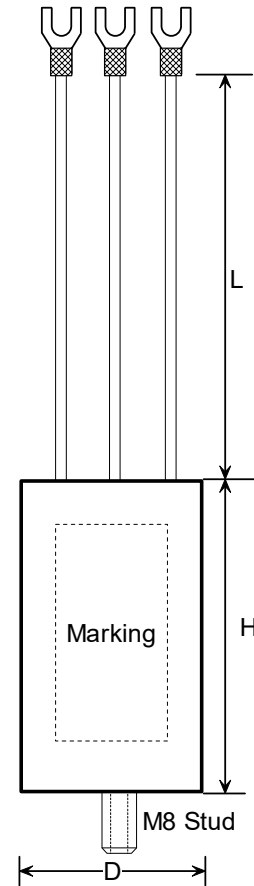
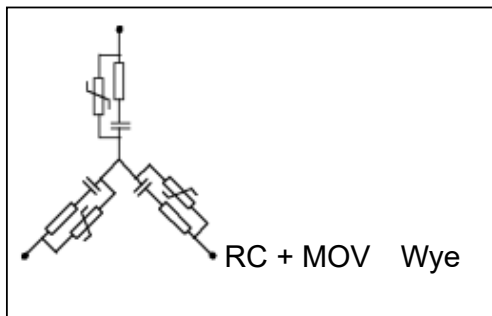
Mounting :

M8 stud

General Specifications :

Capacitance range : 0.22 – 0.5uF
Capacitance tolerance : +/-5%(J) +/-10% (k)
Resistance range : 22 to 820ohm 1/2-10W other value is available
Rated Voltage : 3 X 250VAC - 510VAC
Temperature range : +70C / +105C

Circuitry :



Dimensions :

Resistor		Capacitor		Varistor	Size	Electrical Wire
ohm +/-10%	Rated Power W	uF	VAC		D x H mm	L in mm
10~680	10W	0.22	400	Customer design	65 x 50	300 or 600
		0.47	400			
		0.5	500			