

1.1 High AC Current Capacitors / Heavy Current Capacitors / Resonant Capacitors :

LC1-AN / LC2-AN / LC3-AN series :

Applications :

High Continuous AC Current applications, High Frequency AC/DC Filter, Medium Frequency Power applications, Induction Heating/Melting Equipments, High Current Welding, Resonant Circuits, Tank Circuits, Motor Controls; Oscillating, Bypass and Coupling circuits.

Properties :

Doesn't need Water cooling
 Force Air Cooling can be useful at +105C but not a must
 High RMS Ripple Current with 100% duty
 Low ESR and ESL
 Low Thermal Resistance
 High continuous power with Lower Internal loss
 High Operating Temperature range up to +105C ranges
 Plastic Enclosure and Light Weight
 Flame Retardant UL94-V0 grade

Electrical Characteristics :

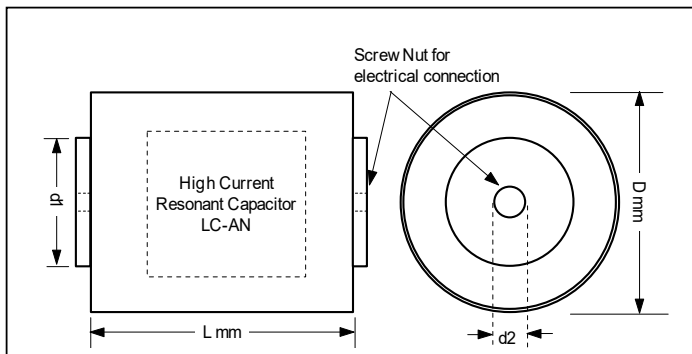
Rated Voltage : 125 – 1,320Vrms (Support higher voltage requirement)
 Capacitance range : 1uF – 100uF (can be customized)
 Ripple RMS Current up to 250A - All the listed Currents are for 100% duty.
 Reactive Power up to 80kVAR

Other Electrical Characteristics :

Capacitance Tolerance : +/-5%; +/-10%
 Operating Temperature : +70C / +85C / +90C / +105C
 Thermal Resistance R θ : refer to the table below

Thermocouple can be built-in, capacitor internal temperature can be measured. The output temperature signal can be used as one of the reference signals in the circuit and trigger other function.

Specifications and Size : LC2-AN / LC3-AN series :



LC3-AN 125Vrms

P/N :	Cn uF	Diameter D mm	Length L mm	Cont. Irms +55C	R θ C/W +55C	Cont. Power KVAR +55C	ESR mohm 100khz 25C	Stray Inductance nH
LC3-AN256K125VR	25	65	64	40	2.1	5	1.5	30
LC3-AN306K125VR	30	65	64	45	1.8	5	1.4	30
LC3-AN406K125VR	40	65	64	50	1.8	6	1.1	30
LC3-AN506K125VR	50	65	64	50	1.9	6	1.1	30
LC3-AN606K125VR	60	65	64	60	1.5	7	0.9	30
LC3-AN706K125VR	70	90	64	70	1.2	8	0.8	30
LC3-AN806K125VR	80	90	64	85	0.9	10	0.8	30
LC3-AN906K125VR	90	90	64	90	0.9	11	0.7	30
LC3-AN107K125VR	100	90	64	100	0.9	12	0.6	30

LC3-AN 150Vrms

P/N :	Cn uF	Diameter D mm	Length L mm	Cont. Irms +55C	R θ C/W +55C	Cont. Power KVAR +55C	ESR mohm 100khz 25C	Stray Inductance nH
LC3-AN256K150VR	25	65	64	40	2.1	6	1.5	30
LC3-AN306K150VR	30	65	64	43	1.9	6	1.4	30
LC3-AN406K150VR	40	65	64	50	1.6	7	1.3	30
LC3-AN506K150VR	50	90	64	65	1.1	10	1.1	30
LC3-AN606K150VR	60	90	64	75	1.0	11	0.9	30
LC3-AN706K150VR	70	90	64	90	0.9	13	0.7	30
LC3-AN806K150VR	80	90	64	100	0.9	15	0.6	30

In all circumstance, it is better to keep the actual capacitor Irms smaller than the listed Irms at the specific temperature.

LC3-AN 185Vrms

P/N :	Cn uF	Diameter D mm	Length L mm	Cont. Irms +55C	Rθ C/W +55C	Cont. Power KVAR +55C	ESR mohm 100khz 25C	Stray Inductance nH
LC3-AN156K185VR	15	65	64	30	2.1	5	2.6	30
LC3-AN206K185VR	20	65	64	35	2.1	6	2.0	30
LC3-AN226K185VR	22	65	64	35	2.2	6	1.9	30
LC3-AN256K185VR	25	65	64	40	2.1	7	1.5	30
LC3-AN306K185VR	30	90	64	50	1.6	9	1.3	30
LC3-AN336K185VR	33	90	64	50	1.7	9	1.2	30
LC3-AN356K185VR	35	90	64	55	1.6	10	1.1	30
LC3-AN406K185VR	40	90	64	65	1.2	12	1.0	30
LC3-AN477K185VR	47	90	64	75	1.0	14	0.9	30

LC3-AN 250Vrms

P/N :	Cn uF	Diameter D mm	Length L mm	Cont. Irms +55C	Rθ C/W +55C	Cont. Power KVAR +55C	ESR mohm 100khz 25C	Stray Inductance nH
LC3-AN156K250VR	15	65	64	30	2.1	7	2.6	30
LC3-AN186K250VR	18	90	64	35	2.0	9	2	30
LC3-AN206K250VR	20	90	64	40	2.2	10	1.5	30
LC3-AN226K250VR	22	90	64	45	2.1	11	1.2	30
LC3-AN256K250VR	25	90	64	55	1.8	14	0.9	30

LC2-AN 250Vrms

P/N :	Cn uF	Diameter D mm	Length L mm	Cont. Irms +70C	Rθ C/W +70C	Cont. Power KVAR +70C	Cont. Irms +85C	Rθ C/W +85C	Cont. Power KVAR +85C	Cont. Irms +105C	Rθ C/W +105C	Cont. Power KVAR +105C	ESR mohm 100khz 25C	Stray Inductance nH
LC2-AN126K250VR-V1	12	90	63.5	60	0.5	15	55	0.6	14	40	1.4	10	2.6	10
LC2-AN156K250VR-V1	15	90	63.5	60	0.6	15	55	0.7	14	40	1.5	10	2.5	10
LC2-AN206K250VR-V1	20	90	81	60	0.5	15	55	0.6	14	40	1.4	10	2.6	12
LC2-AN226K250VR-V1	22	90	81	60	0.6	15	55	0.7	14	40	1.6	10	2.4	12
LC2-AN256K250VR-V1	25	90	99	60	0.5	15	55	0.6	14	40	1.4	10	2.7	15
LC2-AN306K250VR-V1	30	90	99	60	0.6	15	55	0.7	14	40	1.5	10	2.5	15
LC2-AN356K250VR-V1	35	90	99	60	0.6	15	55	0.8	14	40	1.7	10	2.2	15
LC2-AN406K250VR-V1	40	90	134	60	0.6	15	55	0.7	14	40	1.6	10	2.4	22
LC2-AN456K250VR-V1	45	90	134	70	0.5	17.5	65	0.5	16	45	1.3	11	2.2	22
LC2-AN506K250VR-V1	50	90	134	70	0.5	17.5	65	0.6	16	45	1.4	11	2.1	22

LC2-AN 250Vrms

P/N :	Cn uF	Diameter D mm	Length L mm	Cont. Irms +70C	Rθ C/W +70C	Cont. Power KVAR +70C	Cont. Irms +85C	Rθ C/W +85C	Cont. Power KVAR +85C	Cont. Irms +105C	Rθ C/W +105C	Cont. Power KVAR +105C	ESR mohm 100khz 25C	Stray Inductance nH
LC2-RNM126K250VR-V2	12	65	180	70	0.58	18	65	0.68	16	50	1.14	13	1.4	15
LC2-RNM156K250VR-V2	15	65	215	90	0.47	23	80	0.59	20	60	1.05	15	1.06	15
LC2-RNM186K250VR-V2	18	65	225	110	0.29	28	90	0.43	23	75	0.62	19	1.15	15
LC2-RNM206K250VR-V2	20	65	255	110	0.31	28	90	0.47	23	75	0.68	19	1.05	15
LC2-RNM226K250VR-V2	22	90	170	130	0.25	33	100	0.42	25	90	0.52	23	0.95	15
LC2-RNM256K250VR-V2	25	90	200	150	0.21	38	130	0.28	33	100	0.47	25	0.85	15
LC2-RNM306K250VR-V2	30	90	230	180	0.16	45	150	0.24	38	120	0.37	30	0.75	15
LC2-RNM356K250VR-V2	35	90	250	200	0.14	50	150	0.25	38	120	0.40	30	0.7	15
LC2-RNM406K250VR-V2	40	90	260	250	0.10	63	200	0.15	50	150	0.27	38	0.65	15
LC2-RNM456K250VR-V2	45	90	295	250	0.10	63	200	0.15	50	150	0.27	38	0.65	15
LC2-AN476K250VR	47	90	295	250	0.10	63	200	0.15	50	150	0.27	38	0.65	15

LC2-AN 300Vrms

P/N :	Cn uF	Diameter D mm	Length L mm	Cont. Irms +70C	Rθ C/W +70C	Cont. Power KVAR +70C	Cont. Irms +85C	Rθ C/W +85C	Cont. Power KVAR +85C	Cont. Irms +105C	Rθ C/W +105C	Cont. Power KVAR +105C	ESR mohm 100khz 25C	Stray Inductance nH
LC2-AN805K300VR	8	65	81	45	0.9	13.5	40	1.1	12	30	2.4	9	2.8	12
LC2-AN106K300VR	10	65	81	45	0.9	13.5	40	1.2	12	30	2.5	9	2.7	12
LC2-AN126K300VR	12	65	99	45	0.9	13.5	40	1.2	12	30	2.6	9	2.6	15
LC2-AN156K300VR	15	65	99	50	0.8	15	45	1.0	14	35	2.0	11	2.5	15
LC2-AN186K300VR	18	90	99	50	0.8	15	45	1.0	14	35	2.0	11	2.4	15
LC2-AN206K300VR	20	65	134	50	0.8	15	45	1.0	14	35	2.0	11	2.5	22
LC2-AN256K300VR	25	90	134	60	0.6	18	55	0.7	17	40	1.6	12	2.4	22
LC2-AN306K300VR	30	90	134	70	0.4	21	65	0.5	20	50	1.0	15	2.3	22
LC2-AN356K300VR	35	90	134	70	0.5	21	65	0.5	20	50	1.1	15	2.2	22
LC2-AN406K300VR	40	90	134	70	0.5	21	65	0.6	20	50	1.1	15	2.1	22

In all circumstance, it is better to keep the actual capacitor Irms smaller than the listed Irms at the specific temperature.

LC2-AN 325Vrms

P/N :	Cn uF	Diameter D mm	Length L mm	Cont. Irms +70C	Rθ C/W +70C	Cont. Power KVAR +70C	Cont. Irms +85C	Rθ C/W +85C	Cont. Power KVAR +85C	Cont. Irms +105C	Rθ C/W +105C	Cont. Power KVAR +105C	ESR mohm 100khz 25C	Stray Inductance nH
LC2-AN106K325VR	10	65	185	70	0.49	23	60	0.67	20	50	0.97	16	1.65	15
LC2-AN126K325VR	12	65	220	80	0.43	26	70	0.56	23	55	0.91	18	1.45	15
LC2-AN156K325VR	15	65	260	100	0.30	33	90	0.37	29	70	0.60	23	1.35	15
LC2-AN186K325VR	18	90	180	120	0.23	39	100	0.33	33	80	0.52	26	1.2	15
LC2-AN206K325VR	20	90	185	130	0.22	42	110	0.30	36	90	0.45	29	1.1	15
LC2-AN226K325VR	22	90	220	150	0.19	49	120	0.29	39	100	0.42	33	0.95	15
LC2-AN256K325VR	25	90	250	180	0.15	59	150	0.21	49	120	0.33	39	0.85	15
LC2-AN306K325VR	30	90	260	200	0.13	65	180	0.16	59	130	0.32	42	0.75	15
LC2-AN356K325VR	35	90	295	250	0.09	81	200	0.14	65	150	0.25	49	0.7	15

LC3-AN 360Vrms

P/N :	Cn uF	Diameter D mm	Length L mm	Cont. Irms +55C	Rθ C/W +55C	Cont. Power KVAR +55C	Cont. Irms +85C	Stray Inductance nH
LC3-AN405K360VR	4	65	60	50	1.3	18	40	25
LC3-AN505K360VR	5	90	60	60	1.1	21	45	25
LC3-AN605K360VR	6	90	60	80	0.8	29	55	25
LC3-AN705K360VR	7	90	60	90	0.8	32	65	25
LC3-AN805K360VR	8	90	60	100	0.8	36	75	25

LC2-AN 360Vrms

P/N :	Cn uF	Diameter D mm	Length L mm	Cont. Irms +70C	Rθ C/W +70C	Cont. Power KVAR +70C	Cont. Irms +85C	Rθ C/W +85C	Cont. Power KVAR +85C	Cont. Irms +105C	Rθ C/W +105C	Cont. Power KVAR +105C	ESR mohm 100khz 25C	Stray Inductance nH
LC2-AN605K360VR-V1	6	65	185	60	0.67	22	50	0.97	18	40	1.52	14	1.65	15
LC2-AN805K360VR-V1	8	65	225	80	0.43	29	65	0.65	23	45	1.36	16	1.45	15
LC2-AN106K360VR-V1	10	90	155	100	0.32	36	70	0.65	25	55	1.06	20	1.25	15
LC2-AN126K360VR-V1	12	90	185	120	0.25	43	100	0.36	36	80	0.57	29	1.1	15
LC2-AN156K360VR-V1	15	90	220	150	0.19	54	120	0.29	43	100	0.42	36	0.95	15
LC2-AN206K360VR-V1	20	90	270	180	0.15	65	150	0.21	54	120	0.33	43	0.85	15

LC2-AN 360Vrms

P/N :	Cn uF	Diameter D mm	Length L mm	Cont. Irms +70C	Rθ C/W +70C	Cont. Power KVAR +70C	Cont. Irms +85C	Rθ C/W +85C	Cont. Power KVAR +85C	Cont. Irms +105C	Rθ C/W +105C	Cont. Power KVAR +105C	ESR mohm 100khz 25C	Stray Inductance nH
LC2-AN605K360VR-V2	6	65	81	45	0.9	16.2	40	1.2	14	30	2.5	11	2.7	12
LC2-AN805K360VR-V2	8	90	81	55	0.7	19.8	50	0.8	18	40	1.5	14	2.5	12
LC2-AN106K360VR-V2	10	90	81	70	0.5	25.2	65	0.5	23	55	0.9	20	2.2	12
LC2-AN126K360VR-V2	12	90	99	70	0.5	25.2	65	0.5	23	55	0.9	20	2.2	15
LC2-AN156K360VR-V2	15	90	134	50	0.8	18.0	45	1.0	16	35	2.0	13	2.4	22
LC2-AN186K360VR	18	90	134	55	0.7	19.8	50	0.9	18	40	1.6	14	2.3	22
LC2-AN206K360VR-V2	20	90	134	65	0.5	23.4	60	0.6	22	45	1.3	16	2.2	22
LC2-AN226K360VR	22	90	134	70	0.5	25.2	65	0.6	23	50	1.1	18	2.1	22
LC2-AN256K360VR	25	90	134	70	0.5	25.2	65	0.6	23	50	1.3	18	1.9	22

LC2-AN 400Vrms

P/N :	Cn uF	Diameter D mm	Length L mm	Cont. Irms +70C	Rθ C/W +70C	Cont. Power KVAR +70C	Cont. Irms +85C	Rθ C/W +85C	Cont. Power KVAR +85C	Cont. Irms +105C	Rθ C/W +105C	Cont. Power KVAR +105C	ESR mohm 100khz 25C	Stray Inductance nH
LC2-AN405K400VR	4	65	81	40	1.2	16	30	2.1	12	20	5.7	8	2.7	12
LC2-AN505K400VR	5	90	81	40	1.3	16	30	2.2	12	20	6.0	8	2.5	12
LC2-AN605K400VR	6	65	99	40	1.2	16	30	2.1	12	20	5.7	8	2.7	15
LC2-AN805K400VR	8	90	99	55	0.7	22	45	1.0	18	35	2.0	14	2.4	15
LC2-AN106K400VR	10	90	99	70	0.5	28	60	0.6	24	50	1.1	20	2.2	15
LC2-AN126K400VR	12	90	134	55	0.7	22	45	1.0	18	35	2.0	14	2.4	22
LC2-AN156K400VR	15	90	134	70	0.5	28	60	0.7	24	50	1.1	20	2.1	22

LC2-AN 415Vrms

P/N :	Cn uF	Diameter D mm	Length L mm	Cont. Irms +70C	Rθ C/W +70C	Cont. Power KVAR +70C	Cont. Irms +85C	Rθ C/W +85C	Cont. Power KVAR +85C	Cont. Irms +105C	Rθ C/W +105C	Cont. Power KVAR +105C	ESR mohm 100khz 25C	Stray Inductance nH
LC2-AN305K415VR	3	65	150	40	1.19	17	35	1.55	15	25	3.05	10	2.10	15
LC2-AN405K415VR	4	65	185	50	0.89	21	40	1.39	17	30	2.47	12	1.8	15
LC2-AN505K415VR	5	65	220	60	0.65	25	50	0.94	21	40	1.47	17	1.7	15
LC2-AN605K415VR	6	65	260	70	0.54	29	60	0.74	25	50	1.07	21	1.5	15
LC2-AN805K415VR	8	90	185	100	0.29	42	80	0.45	33	65	0.68	27	1.4	15
LC2-AN106K415VR	10	90	220	120	0.23	50	100	0.33	42	80	0.52	33	1.2	15
LC2-AN126K415VR	12	90	260	150	0.16	62	120	0.25	50	100	0.36	42	1.1	15

In all circumstance, it is better to keep the actual capacitor Irms smaller than the listed Irms at the specific temperature.

LC2-AN 440Vrms

P/N :	Cn uF	Diameter D mm	Length L mm	Cont. Irms +70C	Rθ C/W +70C	Cont. Power KVAR +70C	Cont. Irms +85C	Rθ C/W +85C	Cont. Power KVAR +85C	Cont. Irms +105C	Rθ C/W +105C	Cont. Power KVAR +105C	ESR mohm 100khz 25C	Stray Inductance nH
LC2-AN405K440VR	4	65	99	35	1.5	15.4	30	2.1	13	20	5.6	9	2.7	15
LC2-AN505K440VR	5	90	99	40	1.3	17.6	35	1.6	15	25	3.8	11	2.5	15
LC2-AN605K440VR	6	90	99	45	1.0	19.8	40	1.3	18	30	2.8	13	2.4	15
LC2-AN805K440VR	8	90	134	45	1.0	19.8	40	1.3	18	30	2.8	13	2.4	22
LC2-AN106K440VR	10	90	134	55	0.8	24.2	50	0.9	22	40	1.7	18	2.2	22
LC2-AN126K440VR	12	90	134	55	0.8	24.2	50	1.0	22	40	1.8	18	2.1	22

LC3-AN 450Vrms

P/N :	Cn uF	Diameter D mm	Length L mm	Cont. Irms +55C	Rθ C/W +55C	Cont. Power KVAR +55C	ESR mohm 100khz 25C	Stray Inductance nH
LC3-AN255K450VR	2.5	65	60	40	1.0	18	3.1	25
LC3-AN305K450VR	3	65	60	45	1.1	20	2.2	25
LC3-AN405K450VR	4	90	60	65	0.9	29	1.3	25
LC3-AN505K450VR	5	90	60	80	0.9	36	0.9	25

LC2-AN 450Vrms

P/N :	Cn uF	Diameter D mm	Length L mm	Cont. Irms +70C	Rθ C/W +70C	Cont. Power KVAR +70C	Cont. Irms +85C	Rθ C/W +85C	Cont. Power KVAR +85C	Cont. Irms +105C	Rθ C/W +105C	Cont. Power KVAR +105C	ESR mohm 100khz 25C	Stray Inductance nH
LC2-AN305K450VR	3	65	230	45	0.86	20	40	1.09	18	30	1.93	14	2.30	15
LC2-AN405K450VR	4	65	295	60	0.53	27	50	0.76	23	40	1.19	18	2.1	15
LC2-AN505K450VR	5	90	180	70	0.44	32	60	0.60	27	50	0.86	23	1.85	15
LC2-AN605K450VR	6	90	210	80	0.38	36	70	0.49	32	60	0.67	27	1.65	15
LC2-AN805K450VR	8	90	250	100	0.27	45	85	0.37	38	70	0.54	32	1.5	15

LC3-AN 550Vrms

P/N :	Cn uF	Diameter D mm	Length L mm	Cont. Irms +55C	Rθ C/W +55C	Cont. Power KVAR +55C	ESR mohm 100khz 25C	Stray Inductance nH
LC3-AN155K550VR	1.5	65	60	30	1.8	16	3.1	25
LC3-AN205K550VR	2	65	60	40	1.1	22	2.9	25
LC3-AN255K550VR	2.5	90	60	50	1.2	27	1.7	25
LC3-AN305K550VR	3	90	60	60	1.3	33	1.1	25
LC3-AN355K550VR	3.5	90	60	70	1.1	38	1.0	25

LC2-AN 720Vrms

P/N :	Cn uF	Diameter D mm	Length L mm	Cont. Irms +70C	Rθ C/W +70C	Cont. Power KVAR +70C	Cont. Irms +85C	Rθ C/W +85C	Cont. Power KVAR +85C	Cont. Irms +105C	Rθ C/W +105C	Cont. Power KVAR +105C	ESR mohm 100khz 25C	Stray Inductance nH
LC2-AN405K720VR	4	90	153	50	0.8	36	40	1.3	29	30	2.8	22	2.4	17
LC2-AN505K720VR	5	90	153	65	0.5	46.8	55	0.8	40	45	1.3	32	2.2	17
LC2-AN605K720VR	6	90	190	65	0.6	46.8	55	0.8	40	45	1.4	32	2.1	20
LC2-AN805K720VR	8	90	260	45	1.0	32.4	35	1.6	25	25	3.8	18	2.5	33
LC2-AN106K720VR	10	90	260	60	0.6	43.2	50	0.9	36	40	1.6	29	2.3	33
LC2-AN126K720VR	12	90	260	70	0.5	50.4	60	0.7	43	50	1.3	36	1.9	33

LC3-AN 750Vrms

P/N :	Cn uF	Diameter D mm	Length L mm	Cont. Irms +55C	Rθ C/W +55C	Cont. Power KVAR +55C	ESR mohm 100khz 25C	Stray Inductance nH
LC3-AN105K750VR	1	65	60	25	1.5	19	5.5	25
LC3-AN125K750VR	1.2	90	60	30	1.3	22	4.2	25
LC3-AN155K750VR	1.5	90	60	40	1.1	30	2.9	25
LC3-AN185K750VR	1.8	90	60	45	1.5	34	1.7	25
LC3-AN205K750VR	2	90	60	45	1.6	34	1.5	25

LC2-AN 800Vrms

P/N :	Cn uF	Diameter D mm	Length L mm	Cont. Irms +70C	Rθ C/W +70C	Cont. Power KVAR +70C	Cont. Irms +85C	Rθ C/W +85C	Cont. Power KVAR +85C	Cont. Irms +105C	Rθ C/W +105C	Cont. Power KVAR +105C	ESR mohm 100khz 25C	Stray Inductance nH
LC2-AN255K800VR	2.5	52	231	40	1.1	32	35	1.5	28	25	3.4	20	2.8	33
LC2-AN305K800VR	3	56	231	50	0.8	40	40	1.2	32	30	2.6	24	2.6	33
LC2-AN405K800VR	4	50	231	50	0.7	40	40	1.1	32	30	2.3	24	2.9	33
LC2-AN505K800VR	5	56	231	60	0.5	48	50	0.8	40	40	1.4	32	2.6	33
LC2-AN605K800VR	6	62	231	70	0.4	56	60	0.6	48	50	1.0	40	2.3	33
LC2-AN805K800VR	8	72	231	70	0.5	56	60	0.7	48	50	1.1	40	2.1	33

In all circumstance, it is better to keep the actual capacitor Irms smaller than the listed Irms at the specific temperature.

LC2-AN 1000Vrms

P/N :	Cn uF	Diameter D mm	Length L mm	Cont. Irms +70C	Rθ C/W +70C	Cont. Power KVAR +70C	Cont. Irms +85C	Rθ C/W +85C	Cont. Power KVAR +85C	Cont. Irms +105C	Rθ C/W +105C	Cont. Power KVAR +105C	ESR mohm 100khz 25C	Stray Inductance nH
LC2-AN205K1000VR	2	90	280	40	1.2	40	30	2.1	30	22	4.8	22	2.6	33
LC2-AN255K1000VR	2.5	90	280	40	1.2	40	30	2.1	30	22	4.6	22	2.7	33
LC2-AN305K1000VR	3	90	280	50	0.8	50	40	1.2	40	25	3.7	25	2.6	33
LC2-AN405K1000VR	4	90	280	60	0.6	60	50	0.9	50	40	1.6	40	2.3	33
LC2-AN505K1000VR	5	90	280	70	0.5	70	60	0.7	60	45	1.4	45	2.1	33

LC2-AN 1200Vrms

P/N :	Cn uF	Diameter D mm	Length L mm	Cont. Irms +70C	Rθ C/W +70C	Cont. Power KVAR +70C	Cont. Irms +85C	Rθ C/W +85C	Cont. Power KVAR +85C	Cont. Irms +105C	Rθ C/W +105C	Cont. Power KVAR +105C	ESR mohm 100khz 25C	Stray Inductance nH
LC2-AN155K1200VR-V1	1.5	90	280	35	1.6	42	30	2.2	36	20	6.0	24	2.5	33
LC2-AN155K1200VR-V2	1.5	65	280	30	2.2	36	25	3.2	30	18	7.4	22	2.5	33
LC2-AN205K1200VR-V1	2	90	280	50	0.9	60	40	1.4	48	25	4.2	30	2.3	33
LC2-AN205K1200VR-V2	2	65	280	40	1.4	48	30	2.4	36	20	6.5	24	2.3	33
LC2-AN255K1200VR-V1	2.5	90	280	60	0.7	72	50	1.0	60	35	2.3	42	2.1	33
LC2-AN255K1200VR-V2	2.5	90	280	50	1.0	60	40	1.5	48	30	3.2	36	2.1	33
LC2-AN305K1200VR-V1	3	90	280	60	0.6	72	50	0.9	60	35	2.2	42	2.2	33
LC2-AN305K1200VR-V2	3	90	280	60	0.7	72	50	1.0	60	35	2.4	42	2.0	33

LC2-AN 1320Vrms

P/N :	Cn uF	Diameter D mm	Length L mm	Cont. Irms +70C	Rθ C/W +70C	Cont. Power KVAR +70C	Cont. Irms +85C	Rθ C/W +85C	Cont. Power KVAR +85C	Cont. Irms +105C	Rθ C/W +105C	Cont. Power KVAR +105C	ESR mohm 100khz 25C	Stray Inductance nH
LC2-AN155K1320VR	1.5	90	280	35	1.7	46.2	30	2.3	40	20	6.3	26	2.4	33
LC2-AN205K1320VR	2	90	280	45	1.1	59.4	40	1.4	53	25	4.4	33	2.2	33
LC2-AN255K1320VR	2.5	90	280	60	0.7	79.2	50	1.1	66	35	2.6	46	1.9	33

In all circumstance, it is better to keep the actual capacitor Irms smaller than the listed Irms at the specific temperature.

1.2. High AC Current Capacitors / Heavy Current Capacitors / Resonant Capacitors :

LC2-RNM / LC3-RNM series :

Applications :

High Continuous AC Current applications, High Frequency AC/DC Filter, Medium Frequency Power applications, Induction Heating/Melting Equipments, High Current Welding, Resonant Circuits, Tank Circuits, Motor Controls; Oscillating, Bypass and Coupling circuits.

Properties :

Easy Installation
 Doesn't need Water Cooling
 Force Air Cooling can be useful at +105C but not a must
 High RMS Ripple Current with 100% duty
 Low ESR and ESL
 Low Thermal Resistance
 High continuous power with Lower Internal loss
 High Operating Temperature range up to +105C ranges
 Plastic Enclosure and Light Weight
 Flame Retardant UL94-V0 grade

Electrical Characteristics :

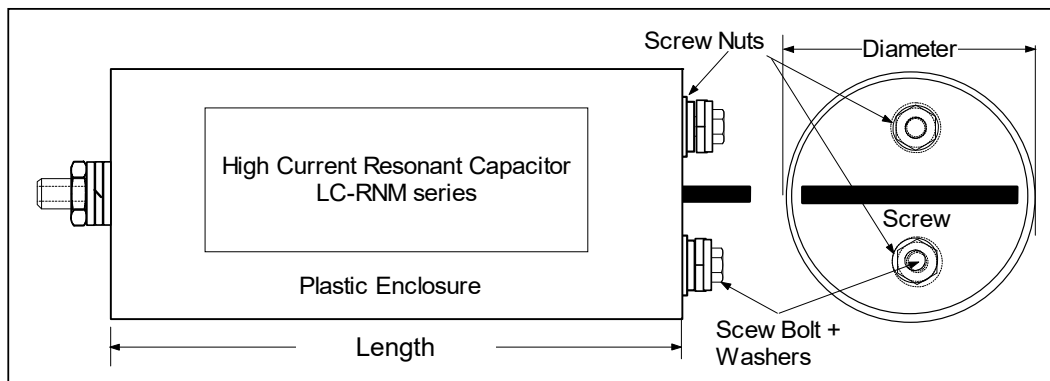
Rated Voltage : 250Vrms – 450Vrms - Support higher voltage requirement
 Capacitance range : 3 – 47uF (can be customized)
 Ripple RMS Current up to 100A - All the listed Currents are for 100% duty.
 Reactive Power up to 65kVAR

Other Electrical Characteristics :

Capacitance Tolerance : +/-5%; +/-10%
 Operating Temperature : +70C / +85C / +90C / +105C
 Thermal Resistance R θ : refer to the table below

Thermocouple can be built-in, capacitor internal temperature can be measured. The output temperature signal can be used as one of the reference signals in the circuit and trigger other function.

Specifications and Size : LC2-RNM series



LC2-RNM 250Vrms

P/N :	Cn uF	Diameter D mm	Length L mm	Cont. Irms +70C	R θ C/W +70C	Cont. Power KVAR +70C	Cont. Irms +85C	R θ C/W +85C	Cont. Power KVAR +85C	Cont. Irms +105C	R θ C/W +105C	Cont. Power KVAR +105C	ESR mohm 100kHz 25C	Stray Inductance nH
LC2-RNM126K250VR	12	65	180	65	0.9	16	55	1.2	14	45	1.8	11	1.65	15
LC2-RNM156K250VR	15	65	215	80	0.6	20	70	0.8	18	55	1.4	14	1.45	15
LC2-RNM186K250VR	18	65	225	100	0.4	25	80	0.7	20	65	1.1	16	1.35	15
LC2-RNM206K250VR	20	65	255	100	0.5	25	80	0.8	20	65	1.2	16	1.20	15
LC2-RNM226K250VR	22	90	170	120	0.4	30	90	0.7	23	75	1.0	19	1.10	15
LC2-RNM256K250VR	25	90	200	130	0.3	33	110	0.5	28	80	0.9	20	1.05	15
LC2-RNM306K250VR	30	90	230	160	0.3	40	130	0.4	33	100	0.7	25	0.90	15
LC2-RNM356K250VR	35	90	250	180	0.2	45	150	0.3	38	120	0.5	30	0.85	15
LC2-RNM406K250VR	40	90	260	200	0.2	50	150	0.4	38	120	0.6	30	0.75	15
LC2-RNM456K250VR	45	90	295	220	0.2	55	150	0.4	38	120	0.6	30	0.70	15
LC2-RNM476K250VR	47	90	295	240	0.1	60	150	0.4	38	120	0.6	30	0.70	15

In all circumstance, it is better to keep the actual capacitor Irms smaller than the listed Irms at the specific temperature.

LC2-RNM 325Vrms

P/N :	Cn uF	Diameter D mm	Length L mm	Cont. Irms +70C	Rθ C/W +70C	Cont. Power KVAR +70C	Cont. Irms +85C	Rθ C/W +85C	Cont. Power KVAR +85C	Cont. Irms +105C	Rθ C/W +105C	Cont. Power KVAR +105C	ESR mohm 100khz 25C	Stray Inductance nH
LC2-RNM106K325VR	10	65	185	60	0.9	20	50	1.3	16	40	2.0	13	1.90	15
LC2-RNM126K325VR	12	65	220	70	0.7	23	60	1.0	20	45	1.7	15	1.70	15
LC2-RNM156K325VR	15	65	260	90	0.5	29	75	0.7	24	60	1.1	20	1.50	15
LC2-RNM186K325VR	18	90	180	100	0.4	33	80	0.7	26	65	1.1	21	1.35	15
LC2-RNM206K325VR	20	90	185	110	0.4	36	90	0.6	29	75	0.9	24	1.25	15
LC2-RNM226K325VR	22	90	220	125	0.3	41	100	0.5	33	85	0.7	28	1.20	15
LC2-RNM256K325VR	25	90	250	150	0.2	49	125	0.3	41	100	0.5	33	1.10	15
LC2-RNM306K325VR	30	90	260	170	0.2	55	150	0.3	49	120	0.5	39	0.90	15
LC2-RNM356K325VR	35	90	295	200	0.2	65	170	0.3	55	135	0.4	44	0.80	15

LC2-RNM 360Vrms

P/N :	Cn uF	Diameter D mm	Length L mm	Cont. Irms +70C	Rθ C/W +70C	Cont. Power KVAR +70C	Cont. Irms +85C	Rθ C/W +85C	Cont. Power KVAR +85C	Cont. Irms +105C	Rθ C/W +105C	Cont. Power KVAR +105C	ESR mohm 100khz 25C	Stray Inductance nH
LC2-RNM605K360VR	6	65	185	50	1.5	18	40	2.3	14	35	3.0	13	1.80	15
LC2-RNM805K360VR	8	65	225	70	0.8	25	55	1.4	20	40	2.6	14	1.6	15
LC2-RNM106K360VR	10	90	155	85	0.7	31	65	1.1	23	50	1.9	18	1.45	15
LC2-RNM126K360VR	12	90	185	100	0.5	36	80	0.9	29	65	1.3	23	1.3	15
LC2-RNM156K360VR	15	90	220	120	0.4	43	100	0.6	36	80	1.0	29	1.1	15
LC2-RNM206K360VR	20	90	270	160	0.3	58	130	0.4	47	100	0.7	36	0.9	15

LC2-RNM 415Vrms

P/N :	Cn uF	Diameter D mm	Length L mm	Cont. Irms +70C	Rθ C/W +70C	Cont. Power KVAR +70C	Cont. Irms +85C	Rθ C/W +85C	Cont. Power KVAR +85C	Cont. Irms +105C	Rθ C/W +105C	Cont. Power KVAR +105C	ESR mohm 100khz 25C	Stray Inductance nH
LC2-RNM305K415VR	3	65	150	35	2.1	15	30	2.9	12	20	6.5	8	2.3	15
LC2-RNM405K415VR	4	65	185	45	1.5	19	35	2.4	15	25	4.8	10	2.0	15
LC2-RNM505K415VR	5	65	220	55	1.1	23	45	1.6	19	35	2.7	15	1.8	15
LC2-RNM605K415VR	6	65	260	65	0.8	27	55	1.2	23	45	1.7	19	1.7	15
LC2-RNM805K415VR	8	90	185	85	0.6	35	70	0.8	29	60	1.1	25	1.5	15
LC2-RNM106K415VR	10	90	220	100	0.4	42	85	0.6	35	70	0.9	29	1.35	15
LC2-RNM126K415VR	12	90	260	120	0.3	50	100	0.5	42	80	0.8	33	1.2	15

LC2-RNM 450Vrms

P/N :	Cn uF	Diameter D mm	Length L mm	Cont. Irms +70C	Rθ C/W +70C	Cont. Power KVAR +70C	Cont. Irms +85C	Rθ C/W +85C	Cont. Power KVAR +85C	Cont. Irms +105C	Rθ C/W +105C	Cont. Power KVAR +105C	ESR mohm 100khz 25C	Stray Inductance nH
LC2-RNM305K450VR	3	65	230	40	1.5	18	35	2.0	16	25	3.8	11	2.5	15
LC2-RNM405K450VR	4	65	295	50	1.0	23	40	1.6	18	30	2.9	14	2.3	15
LC2-RNM505K415VR	5	90	180	65	0.7	29	55	0.9	25	40	1.8	18	2.1	15
LC2-RNM605K450VR	6	90	210	75	0.6	34	60	0.9	27	50	1.3	23	1.8	15
LC2-RNM805K450VR	8	90	250	85	0.5	38	70	0.7	32	60	1.0	27	1.65	15

In all circumstance, it is better to keep the actual capacitor Irms smaller than the listed Irms at the specific temperature.

AC Resonant Capacitors :

STLC-02T / STLC-02M series

Applications :

Medium Frequency, Filter, Resonant AC circuit

Can be used continuously at the specified frequency, voltage and current application

Electrical Characteristics :

Rated Voltage : 250Vac – 400Vac

Capacitance range : 0.33 – 1.2uF (can be customized)

Capacitance Tolerance : +-10%

Operating Temperature : -40C ~ +70C

Ripple RMS Current at +70C: 35Arms ~ 60Arms

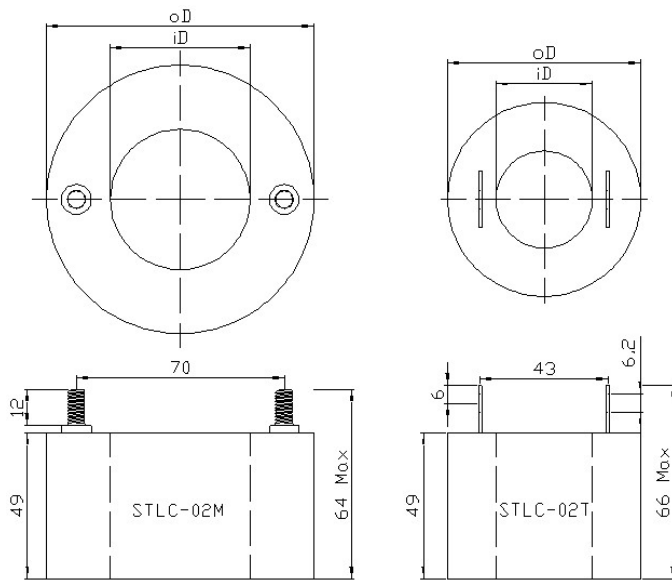
D.F. <=0.1% @ +23C 1KHz

ESR 100KHz +23C <=5 mohm

ESL <=12nH

I.R. at +23C 1mm 100Vdc >=100,000 Mohm

Terminal to Case : 3000Vac x 10 second at 50Hz



Specifications and Size :

STLC-02x 250Vac / V_{peak} = 350V 10s (x is referring to “T” or “M”)

P/N :	C _n uF	Outer Diameter oD mm	Length L mm	Inner Diameter iD mm	dv/dt v/us	Peak Current I _{peak} A	Frequency KHz	rms Current +70C	STLC-02T screw bolt mm	STLC-02M screw nut mm
STLC-02x334K250A	0.33	65	49	25 / 30	1360	449	70	35	1.0 x 18.5	-
STLC-02x404K250A	0.4	65	49	25 / 30	1360	544	65	40	1.0 x 18.5	-
STLC-02x504K250A	0.5	65	49	25 / 30	1360	680	60	45	1.0 x 18.5	-
STLC-02x604K250A	0.6	65	49	25 / 30	1360	816	50	45	1.0 x 18.5	-
STLC-02x684K250A	0.68	65	49	25 / 30	1360	925	50	50	1.0 x 18.5	-
STLC-02x824K250A	0.82	65	49	25 / 30	1360	1115	45	55	1.0 x 18.5	-
STLC-02x105K250A	1	65	49	25 / 30	1360	1360	35	55	1.0 x 18.5	-
STLC-02x125K250A	1.2	90	49	47	1360	1632	32	60	-	M6 x 12

STLC-02x 300Vac / V_{peak} = 420V 10s (x is referring to “T” or “M”)

P/N :	Cn uF	Outer Diameter oD mm	Length L mm	Inner Diameter iD mm	dv/dt v/us	Peak Current I _{peak} A	Frequency KHz	rms Current +70C	STLC-02T terminal mm	STLC-02M screw nut mm
STLC-02x334K300A	0.33	65	49	25 / 30	1976	652	65	40	1.0 x 18.5	-
STLC-02x404K300A	0.4	65	49	25 / 30	1976	790	60	45	1.0 x 18.5	-
STLC-02x504K300A	0.5	65	49	25 / 30	1976	988	50	45	1.0 x 18.5	-
STLC-02x564K300A	0.56	65	49	25 / 30	1976	1107	50	50	1.0 x 18.5	-
STLC-02x604K300A	0.6	65	49	25 / 30	1976	1186	45	50	1.0 x 18.5	-
STLC-02x684K300A	0.68	90	49	47	1976	1344	45	55	-	M6 x 12

STLC-02x 400Vac / V_{peak} = 560V 10s (x is referring to “T” or “M”)

P/N :	Cn uF	Outer Diameter oD mm	Length L mm	Inner Diameter iD mm	dv/dt v/us	Peak Current I _{peak} A	Frequency KHz	rms Current +70C	STLC-02T terminal mm	STLC-02M screw nut mm
STLC-02x334K400A	0.33	65	49	25 / 30	2820	931	55	45	1.0 x 18.5	-
STLC-02x404K400A	0.4	65	49	25 / 30	2820	1128	45	45	1.0 x 18.5	-
STLC-02x504K400A	0.5	65	49	25 / 30	2820	1410	40	50	1.0 x 18.5	-
STLC-02x604K400A	0.6	65	49	25 / 30	2820	1692	37	55	1.0 x 18.5	-
STLC-02x684K400A	0.68	90	49	47	2820	1918	35	60	-	M6 x 12

For any Capacitance, Voltage, dv/dt and Peak Pulse Discharge Current not listed, please contact us for a suggestion.

1.3. High AC Current Capacitors / Heavy Current Capacitors / Resonant Capacitors :

LC1-BN / LC2-BN / LC3-BN series :

Applications :

High Continuous AC Current applications, High Frequency AC/DC Filter, Medium Frequency Power applications, Induction Heating/Melting Equipments, High Current Welding, Resonant Circuits, Tank Circuits, Motor Controls; Oscillating, Bypass and Coupling circuits.

Properties :

- Easy Installation
- Doesn't need Water Cooling
- Force Air Cooling can be useful at +85C but not a must
- High RMS Ripple Current with 100% duty
- Low ESR and ESL
- Low Thermal Resistance
- High continuous power with Lower Internal loss
- High Operating Temperature range up to +105C ranges
- Plastic Enclosure and Light Weight
- Flame Retardant UL94-V0 grade

Electrical Characteristics :

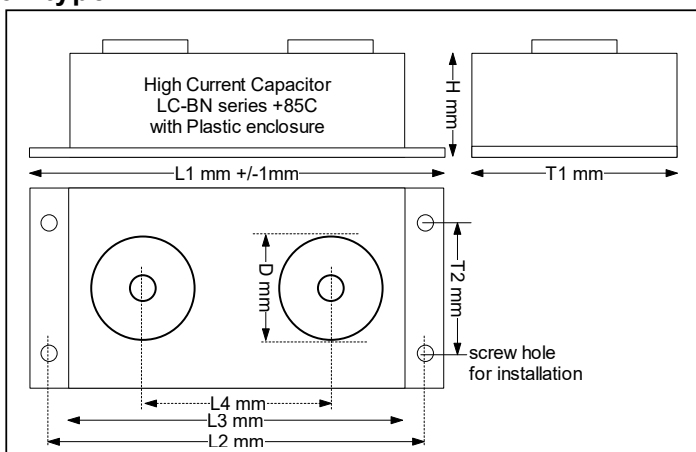
- Rated Voltage : Support customization
- Capacitance range : Support customization
- Ripple RMS Current up to 250A - All the listed Currents are for 100% duty.
- Reactive Power : Support customization

Other Electrical Characteristics :

- Capacitance Tolerance : +/-5%; +/-10%
- Operating Temperature : +70C / +85C
- Thermal Resistance R θ : refer to the table below

Thermocouple can be built-in, capacitor internal temperature can be measured. The output temperature signal can be used as one of the reference signals in the circuit and trigger other function.

Box type : LC2-BN series



LC2-BN 350Vrms

P/N :	Cn uF	L1 mm	T1 mm	H mm	Cont. Irms +85C	R θ C/W +85C	Cont. Power KVAR +85C	ESR mohm 100khz 25C	Stray Inductance nH	Connection Nut Screw Diameter Dmm
LC2-BN605K350VR	6	200	90	36	80	1.2	29	0.8	5	35

LC2-BN 380Vrms

P/N :	Cn uF	L1 mm	T1 mm	H mm	Cont. Irms +85C	R θ C/W +85C	Cont. Power KVAR +85C	ESR mohm 100khz 25C	Stray Inductance nH	Connection Nut Screw Diameter Dmm
LC2-BN256K380VR	25	255	121	62	150	1.0	58	0.7	5	35

LC2-BN 500Vrms

P/N :	Cn uF	L1 mm	T1 mm	H mm	Cont. Irms +85C	R θ C/W +85C	Cont. Power KVAR +85C	ESR mohm 100khz 25C	Stray Inductance nH	Connection Nut Screw Diameter Dmm
LC3-BN506K500VR	50	265	185	95	150	1.0	75	1.5	6	35

Please feel free to tell the RMS Current, Reative Power, Capacitance and Voltage that work for your application. In all circumstance, it is better to keep the actual capacitor Irms smaller than the listed Irms at the specific temperature.

1.4. Induction Heating Capacitors :

LC1-BR / LC2-BR / LC3-BR series :

Applications :

Induction heating power supplies, Induction Heating/Melting Equipments, Resonant Circuits, Tank Circuits and High Continuous AC Current applications, High Current Welding and High Current Power Supplies.

Properties :

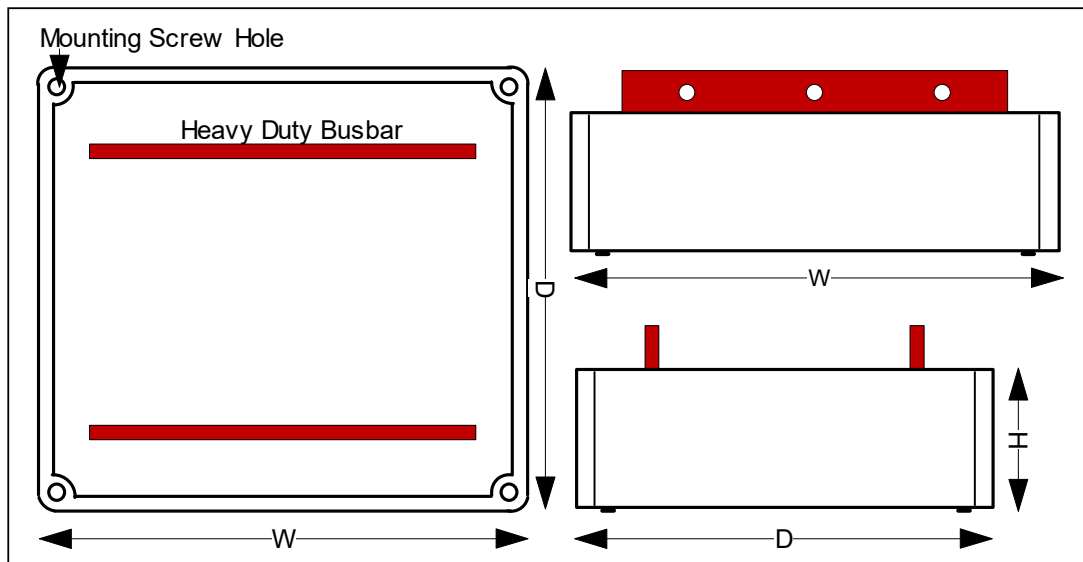
- Easy Installation
- With Heavy Duty Busbars for high current applications
- Doesn't need Water Cooling
- Force Air Cooling can be very useful, due to high current
- High RMS Ripple Current with 100% duty
- Low ESR and ESL
- Low Thermal Resistance
- High continuous power with Lower Internal loss
- Plastic Enclosure and Light Weight
- Flame Retardant UL94-V0 grade
- Lower end customers Electricity Cost kWh by increasing Furnace/Oven Heating Rate significantly

Electrical Characteristics :

- Reactive Power up to 800kVAR
- Ripple RMS Current up to 800A - All the listed Currents are for 100% duty. – (Support other voltage requirement)
- Rated Voltage : 1000Vrms – 5500Vrms – (Support other voltage requirement)
- Maximum Frequency : up to 13kHz
- Capacitance range : 0.5 – 20uF – (Support other voltage requirement)
- Voltage Test : 1.4 x Vn 10s
- Over-Voltage : 1.05 x Vrms 12 hours / day
- Over-Current : 1.15 x Irms +40C

Other Electrical Characteristics :

- Capacitance Tolerance : +/-10%
- Operating Temperature : +70C / +85C and support +105C requirement



Specifications and Size :

P/N	Cn uF	Vrms	Frequency kHz	Irms +50C	Cont. Power KVAR	Dimension +/-1mm W x D x H mm
LC1-BR805K1200VR600KVAR-V1	8	1200	8	500	600	340 x 280 x 105
LC1-BR705K1200VR500KVAR-V1	7.2	1200	7	420	500	340 x 280 x 105
LC1-BR505K1200VR600KVAR-V1	5	1200	13	500	600	340 x 280 x 105
LC1-BR355K1400VR560KVAR-V1	3.5	1400	13	400	560	340 x 280 x 105
LC3-BR504K5500VR550KVAR-V1	0.5	5500	5	100	550	560 x 280 x 105

Please feel free to tell the RMS Current, Reative Power, Capacitance and Voltage that work for your application For any Capacitance, Voltage, Ampere, kHz and kVAR not listed, please contact us for a suggestion.

Headquarter & Production : HK Film Capacitor Ltd

Worldwide Sales Office : HKFC Industrial Pty Ltd

<https://www.hkfc-industrial.com> email : enquiry@hkfc-industrial.com