

AC Resonant Capacitors :

STLC-02T / STLC-02M series

Applications :

Medium Frequency, Filter, Resonant AC circuit

Can be used continuously at the specified frequency, voltage and current application

Electrical Characteristics :

Rated Voltage : 250Vac – 400Vac

Capacitance range : 0.33 – 1.2uF (can be customized)

Capacitance Tolerance : +-10%

Operating Temperature : -40C ~ +70C

Ripple RMS Current at +70C: 35Arms ~ 60Arms

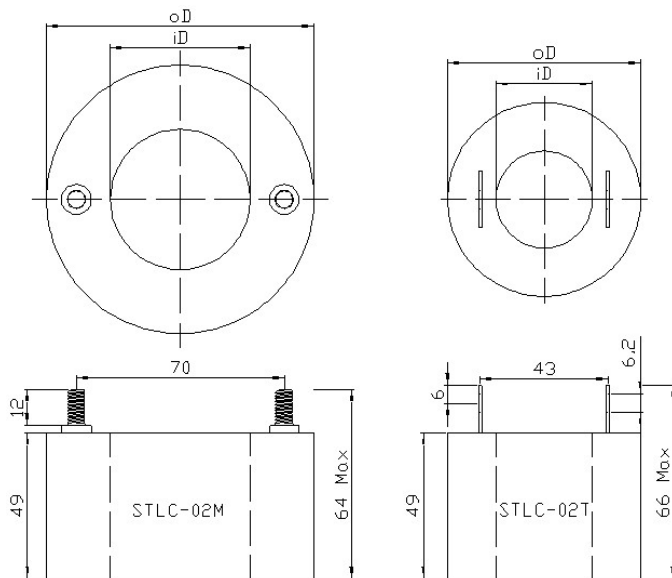
D.F. <=0.1% @ +23C 1KHz

ESR 100KHz +23C <=5 mohm

ESL <=12nH

I.R. at +23C 1mm 100Vdc >=100,000 Mohm

Terminal to Case : 3000Vac x 10 second at 50Hz



Specifications and Size :

STLC-02x 250Vac / V_{peak} = 350V 10s (x is referring to “T” or “M”)

P/N :	C _n uF	Outer Diameter oD mm	Length L mm	Inner Diameter iD mm	dv/dt v/us	Peak Current I _{peak} A	Frequency KHz	rms Current +70C	STLC-02T screw bolt mm	STLC-02M screw nut mm
STLC-02x334K250A	0.33	65	49	25 / 30	1360	449	70	35	1.0 x 18.5	-
STLC-02x404K250A	0.4	65	49	25 / 30	1360	544	65	40	1.0 x 18.5	-
STLC-02x504K250A	0.5	65	49	25 / 30	1360	680	60	45	1.0 x 18.5	-
STLC-02x604K250A	0.6	65	49	25 / 30	1360	816	50	45	1.0 x 18.5	-
STLC-02x684K250A	0.68	65	49	25 / 30	1360	925	50	50	1.0 x 18.5	-
STLC-02x824K250A	0.82	65	49	25 / 30	1360	1115	45	55	1.0 x 18.5	-
STLC-02x105K250A	1	65	49	25 / 30	1360	1360	35	55	1.0 x 18.5	-
STLC-02x125K250A	1.2	90	49	47	1360	1632	32	60	-	M6 x 12

STLC-02x 300Vac / V_{peak} = 420V 10s (x is referring to “T” or “M”)

P/N :	Cn uF	Outer Diameter oD mm	Length L mm	Inner Diameter iD mm	dv/dt v/us	Peak Current I _{peak} A	Frequency KHz	rms Current +70C	STLC-02T terminal mm	STLC-02M screw nut mm
STLC-02x334K300A	0.33	65	49	25 / 30	1976	652	65	40	1.0 x 18.5	-
STLC-02x404K300A	0.4	65	49	25 / 30	1976	790	60	45	1.0 x 18.5	-
STLC-02x504K300A	0.5	65	49	25 / 30	1976	988	50	45	1.0 x 18.5	-
STLC-02x564K300A	0.56	65	49	25 / 30	1976	1107	50	50	1.0 x 18.5	-
STLC-02x604K300A	0.6	65	49	25 / 30	1976	1186	45	50	1.0 x 18.5	-
STLC-02x684K300A	0.68	90	49	47	1976	1344	45	55	-	M6 x 12

STLC-02x 400Vac / V_{peak} = 560V 10s (x is referring to “T” or “M”)

P/N :	Cn uF	Outer Diameter oD mm	Length L mm	Inner Diameter iD mm	dv/dt v/us	Peak Current I _{peak} A	Frequency KHz	rms Current +70C	STLC-02T terminal mm	STLC-02M screw nut mm
STLC-02x334K400A	0.33	65	49	25 / 30	2820	931	55	45	1.0 x 18.5	-
STLC-02x404K400A	0.4	65	49	25 / 30	2820	1128	45	45	1.0 x 18.5	-
STLC-02x504K400A	0.5	65	49	25 / 30	2820	1410	40	50	1.0 x 18.5	-
STLC-02x604K400A	0.6	65	49	25 / 30	2820	1692	37	55	1.0 x 18.5	-
STLC-02x684K400A	0.68	90	49	47	2820	1918	35	60	-	M6 x 12

For any Capacitance, Voltage, dv/dt and Peak Pulse Discharge Current not listed, please contact us for a suggestion.