

1.3. High AC Current Capacitors / Heavy Current Capacitors / Resonant Capacitors :

LC1-BN / LC2-BN / LC3-BN series :

Applications :

High Continuous AC Current applications, High Frequency AC/DC Filter, Medium Frequency Power applications, Induction Heating/Melting Equipments, High Current Welding, Resonant Circuits, Tank Circuits, Motor Controls; Oscillating, Bypass and Coupling circuits.

Properties :

- Easy Installation
- Doesn't need Water Cooling
- Force Air Cooling can be useful at +85C but not a must
- High RMS Ripple Current with 100% duty
- Low ESR and ESL
- Low Thermal Resistance
- High continuous power with Lower Internal loss
- High Operating Temperature range up to +105C ranges
- Plastic Enclosure and Light Weight
- Flame Retardant UL94-V0 grade

Electrical Characteristics :

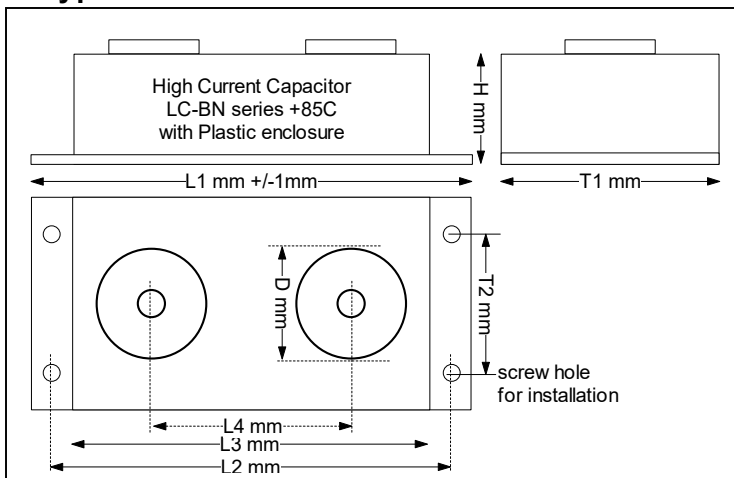
- Rated Voltage : Support customization
- Capacitance range : Support customization
- Ripple RMS Current up to 250A - All the listed Currents are for 100% duty.
- Reactive Power : Support customization

Other Electrical Characteristics :

- Capacitance Tolerance : +/-5%; +/-10%
- Operating Temperature : +70C / +85C
- Thermal Resistance R θ : refer to the table below

Thermocouple can be built-in, capacitor internal temperature can be measured. The output temperature signal can be used as one of the reference signals in the circuit and trigger other function.

Box type : LC2-BN series



LC2-BN 350Vrms

P/N :	Cn uF	L1 mm	T1 mm	H mm	Cont. Irms +85C	R θ C/W +85C	Cont. Power KVAR +85C	ESR mohm 100khz 25C	Stray Inductance nH	Connection Nut Screw Diameter Dmm
LC2-BN605K350VR	6	200	90	36	80	1.2	29	0.8	5	35

LC2-BN 380Vrms

P/N :	Cn uF	L1 mm	T1 mm	H mm	Cont. Irms +85C	R θ C/W +85C	Cont. Power KVAR +85C	ESR mohm 100khz 25C	Stray Inductance nH	Connection Nut Screw Diameter Dmm
LC2-BN256K380VR	25	255	121	62	150	1.0	58	0.7	5	35

LC2-BN 500Vrms

P/N :	Cn uF	L1 mm	T1 mm	H mm	Cont. Irms +85C	R θ C/W +85C	Cont. Power KVAR +85C	ESR mohm 100khz 25C	Stray Inductance nH	Connection Nut Screw Diameter Dmm
LC3-BN506K500VR	50	265	185	95	150	1.0	75	1.5	6	35

Please feel free to tell the RMS Current, Reactive Power, Capacitance and Voltage that work for your application. In all circumstance, it is better to keep the actual capacitor Irms smaller than the listed Irms at the specific temperature.